



INDUSTRIAL

SPILL CONTAINMENT BERM BUMP: RF-SCBB3

RubberForm's spill containment berm can be used indoors or outdoors as a structure to mechanically isolate areas, direct traffic flow or contain spills. Construct a border curb anywhere in your plant without resorting to expensive concrete barriers, culverts and construction costs. RubberForm's sturdy, flexible, 100% recycled molded rubber berm stands up to oil, solvents and water. The solid bottom can adhere to most surfaces. Ideal for applications where you want to hold, divert or redirect liquids without absorbing them. Indoors, they function as bumper cushions and protectors for motorized carts, fork-lift trucks, and vehicles in factories and warehouses. RubberForm's 100% recycled rubber spill containment border dike are a durable, reliable, alternative to traditional concrete or other containment borders.



Create any length, shape or configuration to suit your application or environment. Mitered, cut pieces can be sealed together for improved liquid containment. Seal berm with construction caulk (not included) to create a liquid-tight seal - makes border ideal for containing spills. Federal Spill Containment and Countermeasure (SPCC) rule includes requirements for oil spill prevention, preparedness, and response to prevent oil discharges into navigable waters and adjoining shorelines. The rule requires specific facilities to prepare, amend, and implement SPCC Plans (EPA).

FEATURES

- 100% durable recycled rubber
- Easy deployment - can be installed by one person
- Easy to maintain - won't crack, break, rot or disintegrate
- Resistant to extreme temperature variations, UV light, oil, and moisture
- Flexible - conforms to any floor or concrete surface
- Berms can be custom fabricated before shopping, please request a quote
- RubberForm can custom cut-to-size - send us a drawing for our team to quote
- Made in America

SPECIFICATIONS

- 3"H x 8"W x 36"L - custom cut to size
- 6 lbs per foot
- Attaches to floor with rubber adhesive sealant caulk
- Proprietary masticated whole tire rubber with fiber

MODELS

RF-SCBB3

Spill Containment Bump
3"H x 8"W x 36"L

Mounting Hardware

RF-SCBLS22

Lag bolt, lag shield &
washer set

RF-CLM-1.10.1BK

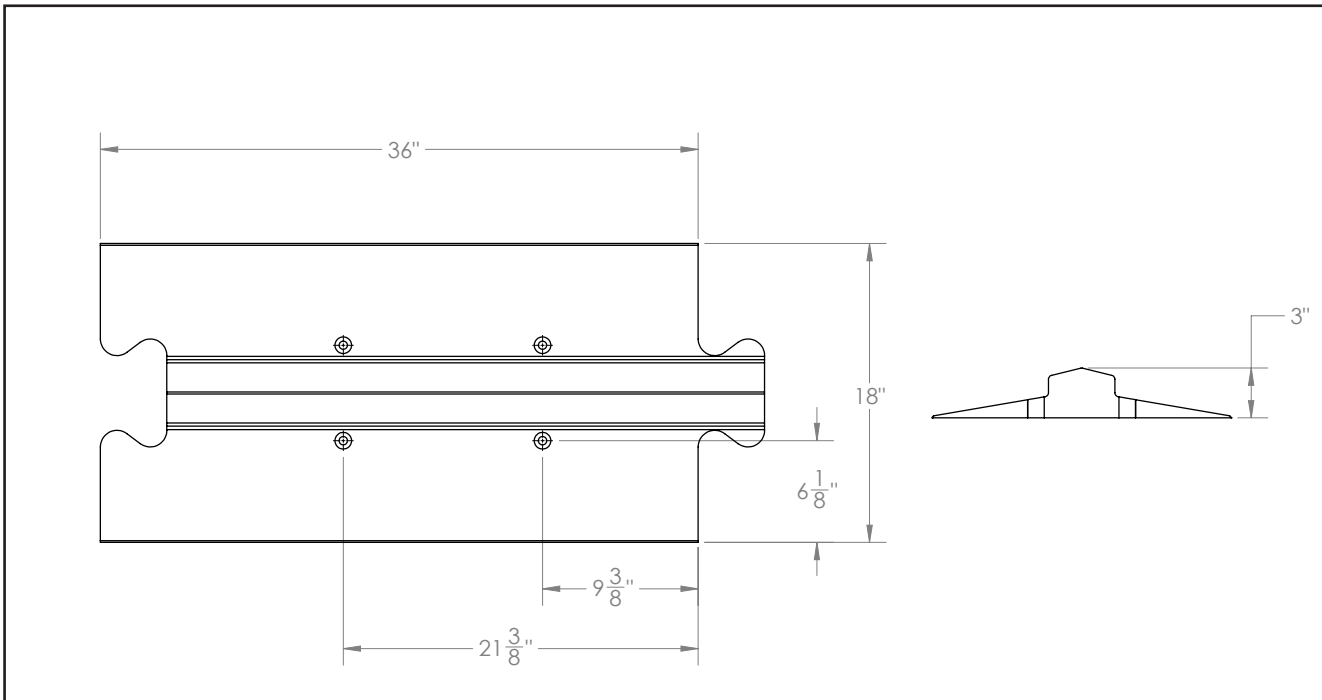
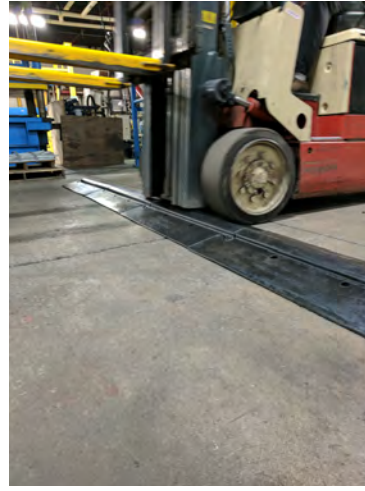
Chem-Link M1 Adhesive
10.1 oz cartridge, black



INDUSTRIAL



RUBBERFORM[®]
RECYCLED PRODUCTS, LLC



MR. CRUMB FACTOID: Each RubberForm spill containment border/berm/dike system diverts 4 to 5 tires out of America's landfills.