



CONSTRUCTION

PIPE AND HOSE RAMP

The RubberForm Pipe and Hose Ramp helps save money, time and the environment. Instead of temporarily laying down asphalt or gravel to access driveways or get over curbs during construction/municipal/waterline projects. RubberForm's ramps can be easily placed, relocated and removed as needed. No more wasted cross-over ramp material cost, messy cleanup or lost time. Use on one project and they are paid for. 50% less than our competitors' metal hose ramps and molded plastic pipe ramps.

The RubberForm Pipe and Hose Ramp protects in-traffic hose, cable, pipe and electric conduit lines from loadbearing traffic. Made from post-industrial and post-consumer recycled rubber tires, our ramps are a durable, long-lasting solution. Perfect for temporary or permanent projects. Create access ramps for driveways and entrances during road, curbside or waterline pipe construction. Ideal for construction/paving contractors, municipalities or on-site business use.



FEATURES

- 100% durable recycled EPDM rubber
- Costs 50% less than our metal hose ramp competitor
- Flexible: conforms to any asphalt or concrete surface - inside or outside
- Available in multiple ramp heights
- Easy to transport, easy to install with built-in hand grips
- High load-bearing capacity
- Reusable, built-to-last pipe and hose ramps pay for themselves with just one use over temporary asphalt
- Made in America

SPECIFICATIONS

RF-PR2R

- 36 lbs
- 3" H x 12" W x 36"L
- Holds pipe or hose diameter up to 2-3/8" OD
- EPDM rubber

RF-PR2F

- 36 lbs
- 3" H x 12" W
- Customer per foot length up to 10 ft
- Holds pipe or hose diameter up to 2-3/8" OD
- EPDM rubber

MODELS

RF-PR2R

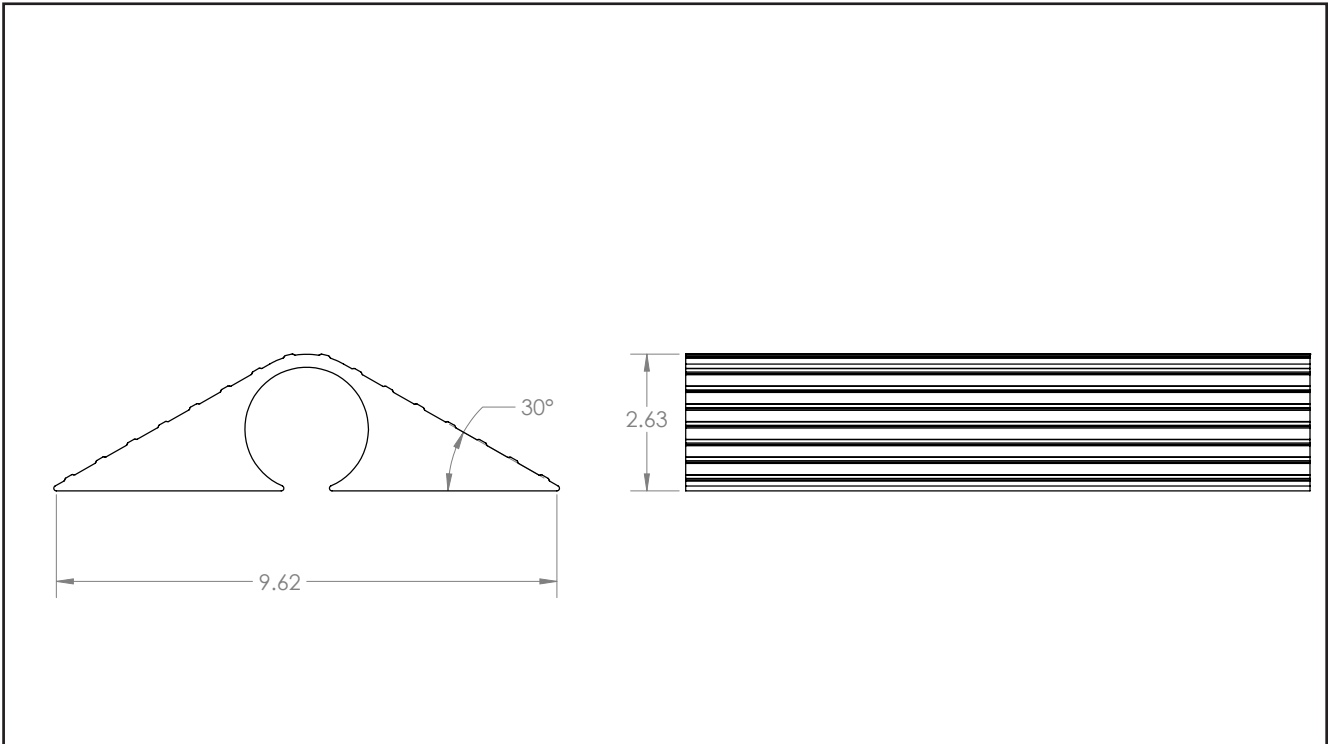
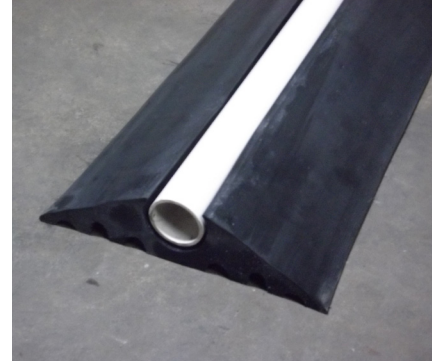
2" Pipe Ramp



CONSTRUCTION



RUBBERFORM
RECYCLED PRODUCTS, LLC



MR. CRUMB FACTOID: One recycled rubber pipe-hose ramp diverts four to six tires out of America's landfills.