



INDUSTRIAL

PORTABLE ELECTRIC CABLE SUPPORT TOWER

RubberForm's Portable Electric Cable Support Tower, or PECST, is a portable electric cable support that was engineered by safety and construction workers when they found the traditional wooden cable hangers were not cost effective and unsafe. Workplace safety practices include the practice of keeping electrical cables (welding cables, power cords, and so forth) suspended so that they are not in contact with the ground and are not likely to come into contact with a worker. This safety practice is advisable because of the risk that some portion of a construction person's body may complete an electrical circuit if the contractor is standing on the ground and touches an electrical cable, or if the ground itself is in electrical contact with an electrical cable.



When using a lumber tower for the same use, the lumber towers are only marginally effective. They are prone to falling over due to a high center of gravity. The lumber towers are awkward to move and are almost never moved from one jobsite to another. They are so inconvenient to move and/or store that construction companies routinely dispose of them when a job is completed, and accept that new ones will need to be constructed at future construction sites. This is a waste of resources, a burden on productivity, and an economically inefficient recurring cost. What is needed is a support structure that will hold electrical cables overhead safely, and that is inexpensive, lightweight, reusable, and convenient to move and store like the RubberForm PECST.

FEATURES

- Base is 100% Post Consumer Recycled Tire Rubber
- Enhances safety and minimizes liability on construction sites
- All-weather weighted rubber base, easy maintenance, will not rust, chip, crack, crumble, corrode or need repainting
- Easy to deploy and install, easy to move from location to location - just tip and roll
- Safety Yellow FRP non-conduction pole with safety locking collar and white cable antler
- Safety caution labels on pole and cable antler
- US Patents Issued
- Made in America

SPECIFICATIONS

- 75 lbs
- Supports cable weights up to 100 lbs
- Telescoping pole to a 10 foot height with cable antler

MODELS

RF-PCST73

Portable Electric Telescoping Cable Support Tower



Tel 716.478.0404 // Fax 716.478.0408 // sales@rubberform.com
www.RubberForm.com // 75 Michigan St, Lockport, NY 14094

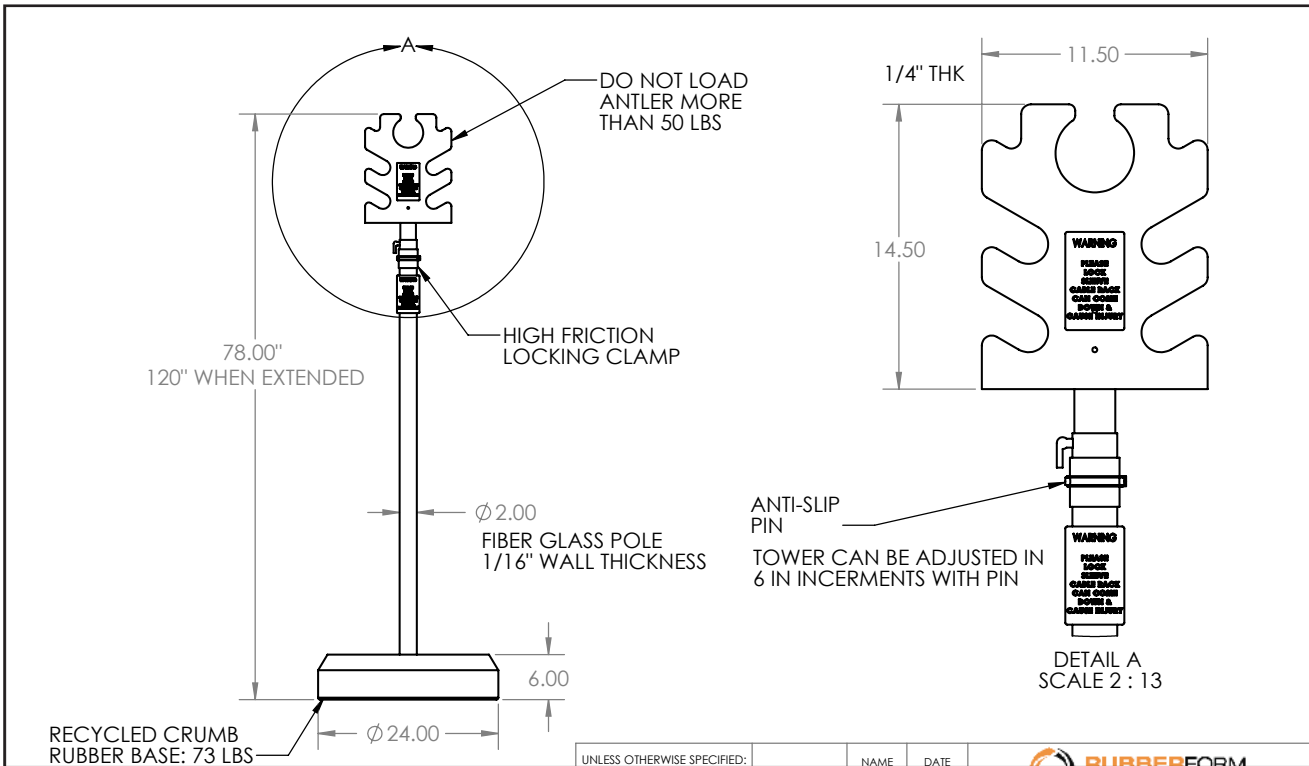




INDUSTRIAL



RUBBERFORM
RECYCLED PRODUCTS, LLC



MR. CRUMB FACTOID:

RubberForm's Portable Electric Cable Support Tower will help keep construction workers safe while also being environmentally friendly!

