



**INDUSTRIAL**

## **RUBBER MECHANICAL MOUNTING SYSTEM**

RubberForm's Rooftop Supports are made of 100% recycled scrap tire rubber which qualifies for LEED credits. The rubber molded support does not penetrate the roof and has no sharp or abrasive edges, helping to extend the life of the roof.

The rubber roof supports have channel strut through bolted on all sizes for added strength and stability. When used in combination with RubberForm's Strut and Pipe Hanger System, the RubberForm Rooftop Supports offer a total solution for rooftop applications such as solar mounting and PV systems, piping, HVAC equipment, electrical, mechanical pipe supports, roof walkway systems, air ducts, conduit and cable tray supports.



### **FEATURES**

- Made from high quality recycled rubber
- All-weather easy maintenance: will not chip, crack, crumble, or corrode
- Easy to install, easy to move by one person
- Resistant to extreme temperature variations, UV light and moisture
- Made in America

### **SPECIFICATIONS**

- 3.10 lbs.
- 5-1/2"W x 10-3/4" x 4"H
- Max Rec. Uniform Load 2500 lbs
- Multiple Strut Options
- Flexural Strength 391.602 Psi
- 100% Post-Consumer American Recycled Rubber and Recycled Plastic

### **MODELS**

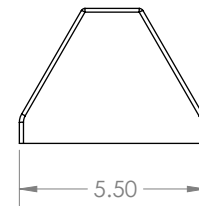
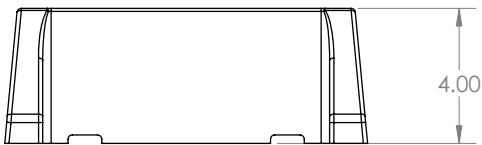
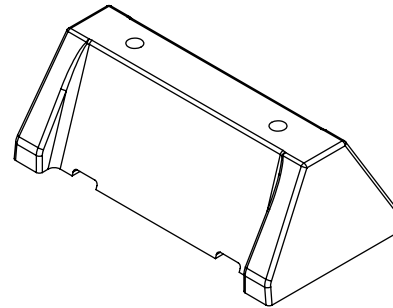
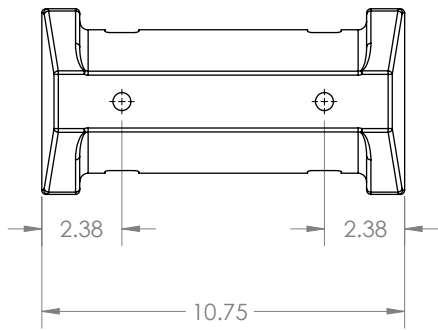
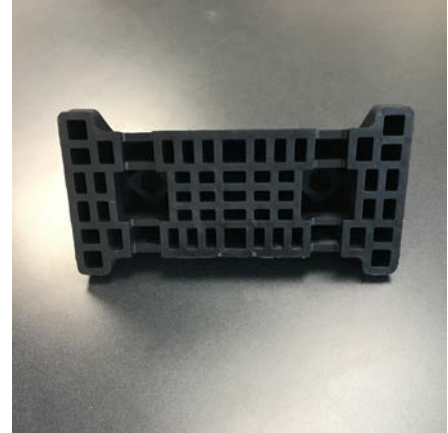
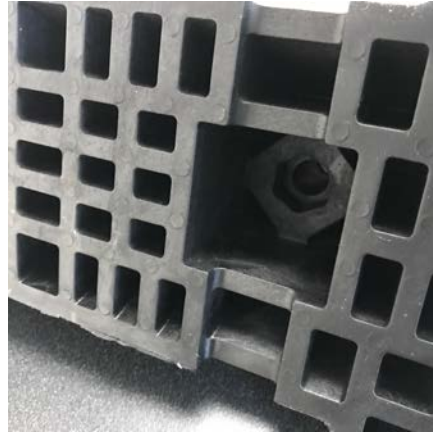
- **RF-PHDRTS**  
Roof Block
- **RF-PHDRTS-S**  
Roof Block with Strut



INDUSTRIAL



RUBBERFORM<sup>®</sup>  
RECYCLED PRODUCTS, LLC



**MR. CRUMB FACTOID:** The Mechanical Mounting System offers a total solution for rooftop applications!