



CONSTRUCTION

CURB RAMP

The RubberForm Curb Ramp helps save money, time and the environment. Instead of temporarily laying down asphalt or gravel to access driveways or get over curbs during construction/municipal projects, RubberForm's Curb Ramp can be easily placed, relocated and removed as needed. No more wasted ramp material cost, messy cleanup or lost time. Use on one project and they are paid for.

Made from post-industrial and post-consumer recycled rubber, our curb ramps are the durable, long-lasting solution. Perfect for temporary or permanent projects. Create access ramps for driveways and entrances during road construction. Ideal for construction/paving contractors, municipalities or on-site business use.



FEATURES

- 100% durable recycled rubber
- Flexible: conforms to any asphalt or concrete surface - inside or outside
- Easy to transport, easy to install with built-in hand grips
- High load-bearing capacity
- Reusable, built-to-last pipe and hose ramps pay for themselves with just one use over temporary asphalt
- Made in America

SPECIFICATIONS

- 38 lbs
- 4"H x 12"W x 36"L

MODELS

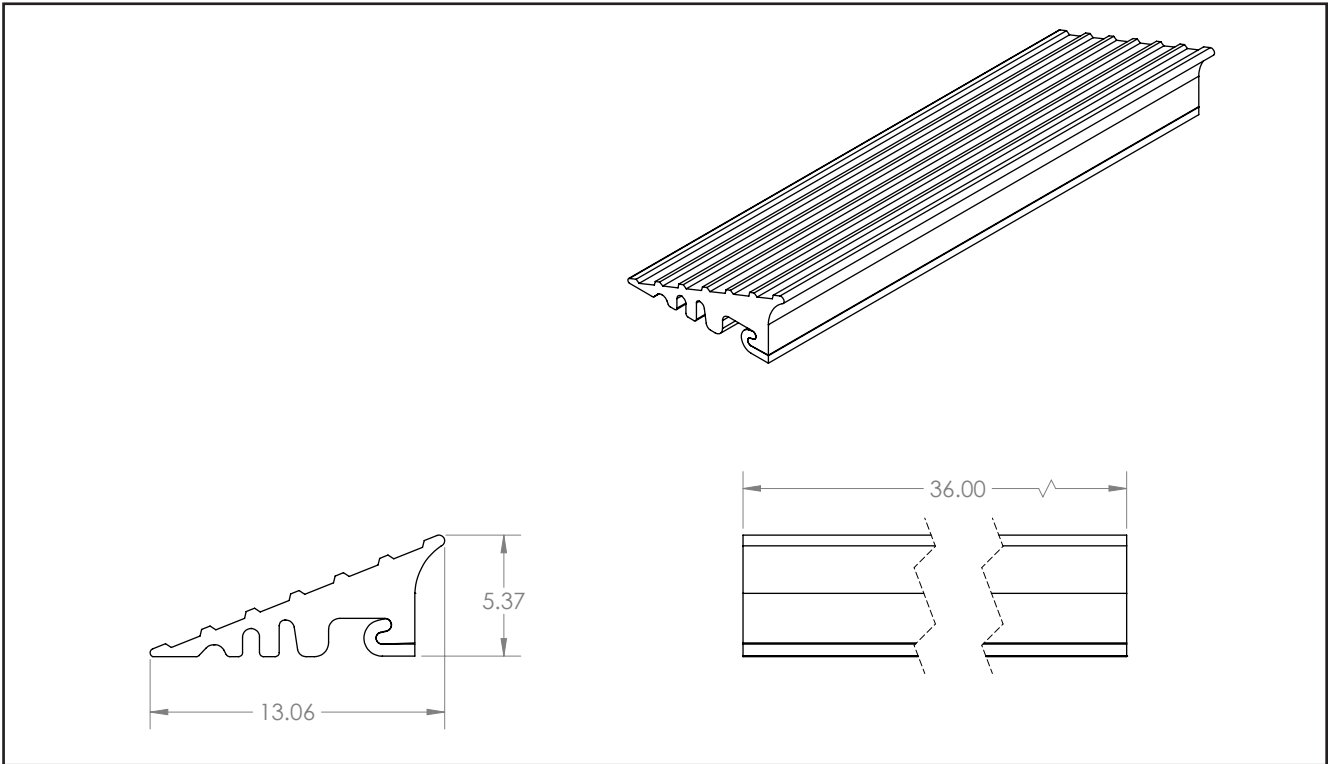
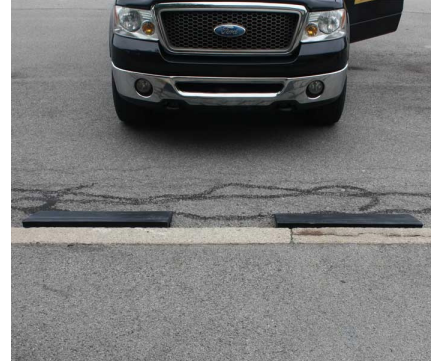
- RF-CR4R
4" Curb Ramp



CONSTRUCTION



RUBBERFORM[®]
RECYCLED PRODUCTS, LLC



MR. CRUMB FACTOID: One recycled rubber curb ramp diverts two tires out of America's landfills.