



CONSTRUCTION

WEDGE RAMP

The RubberForm Wedge/Curb Ramp helps save money, time and the environment. Instead of temporarily laying down asphalt or gravel to access driveways or get over curbs during construction/municipal projects, RubberForm Wedge Ramps can be easily placed, relocated and removed as needed. No more wasted ramp material cost, messy cleanup or lost time. Use on one project and they are paid for!

Made from post-industrial and post-consumer recycled rubber, our wedge ramps are the durable, long-lasting solution. Perfect for temporary or permanent projects. Create access ramps for driveways and entrances during road construction. Ideal for construction/paving contractors, municipalities or on-site business use.



FEATURES

- 100% durable recycled rubber
- Easy to transport, easy to install
- High load-bearing capacity
- Reusable, built-to-last wedge ramps pay for themselves with just one use over temporary asphalt
- Tax Payer Cost Savings - time, material and disposal expenses
- Made in America

SPECIFICATIONS

RF-WGR1.25.10F

- 5 lbs
- 1-1/4"H x 10" W x 10"L
- Extruded in 10 foot lengths

RF-WGR2.11F

- 5 lbs
- 2"H x 11" W x 10"L
- Extruded in 10 foot lengths

MODELS

RF-WGR1.25.10F

Wedge Ramp

RF-WGR2.11F

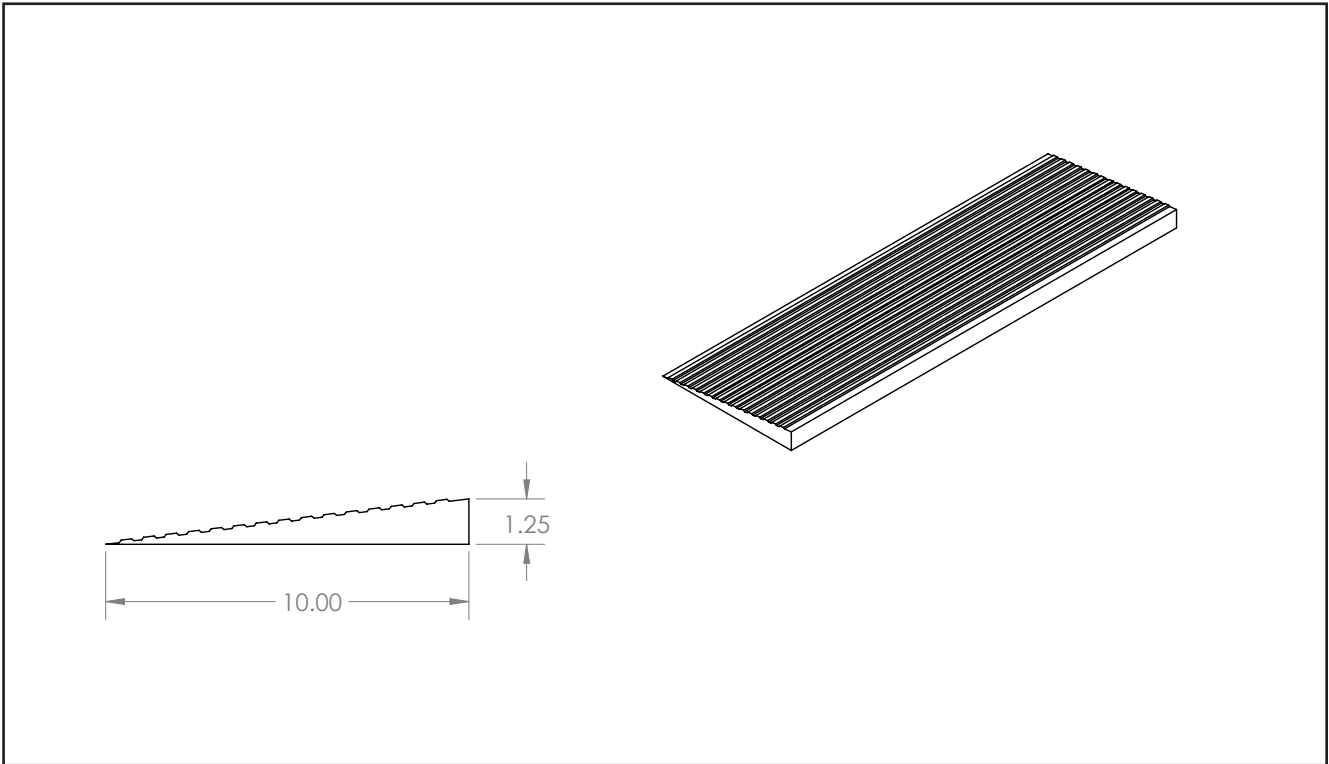
Wedge Ramp



CONSTRUCTION



RUBBERFORM[®]
RECYCLED PRODUCTS, LLC



MR. CRUMB FACTOID: After one use our Wedge Ramps are paid for!