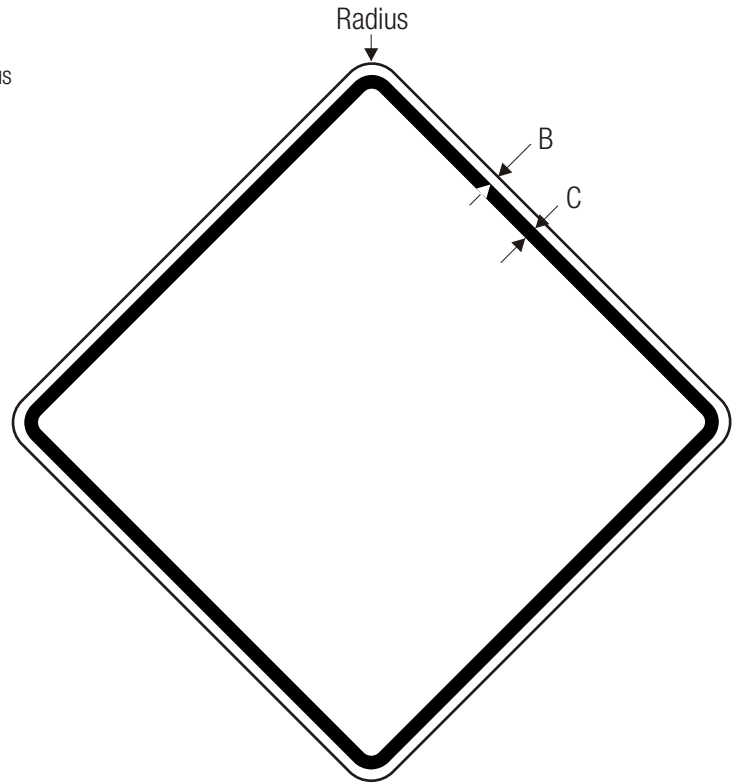
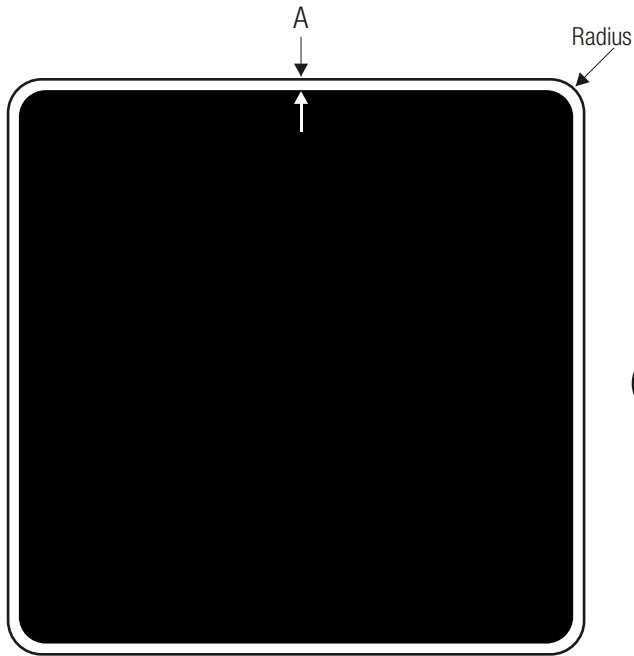
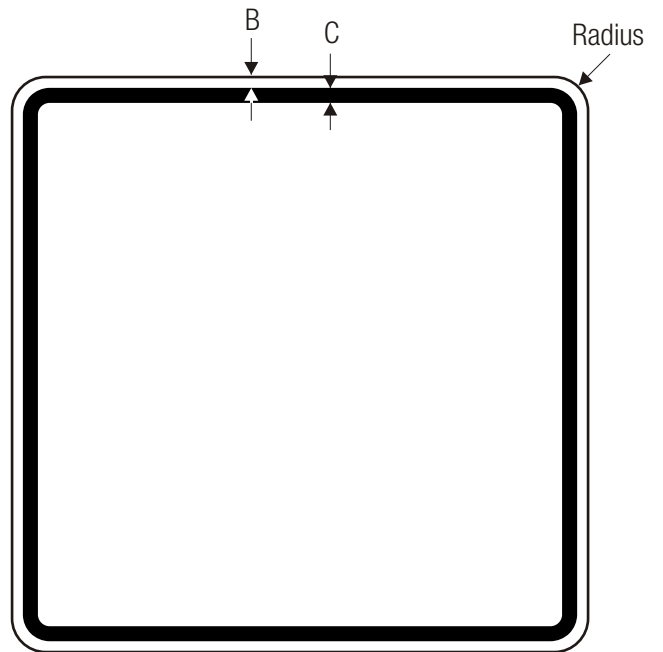


Standard Highway Sign Border Specifications

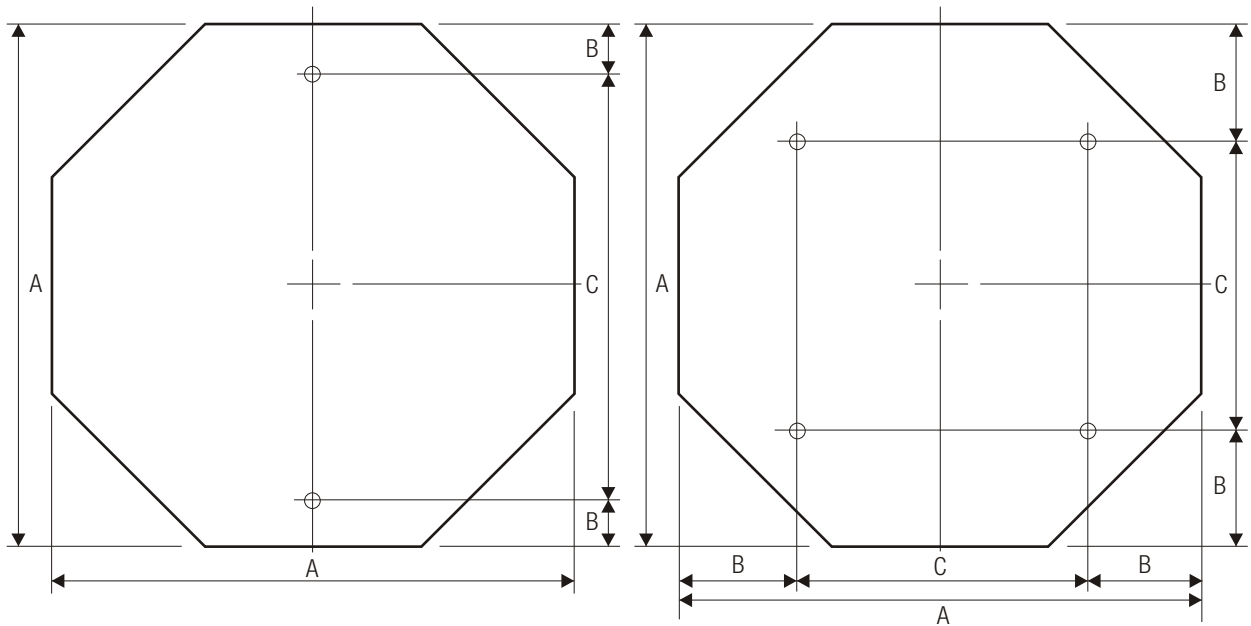


SIGN SIZE (inch)	EQUIVALENT (mm)	BORDER WIDTHS (inch)			RADIUS (inch)
		A	B	C	
9	225	.375	.375	.375	1
12	300	.375	.375	.438	1.5
18	450	.5	.375	.625	1.5
24	600	.5	.375	.625	1.5
30	750	.75	.5	.75	1.875
36	900	.75	.625	.875	2.25
48	1200	1	.75	1.25	3
60	1500	1	.75	1.25	3



BLANK STANDARDS

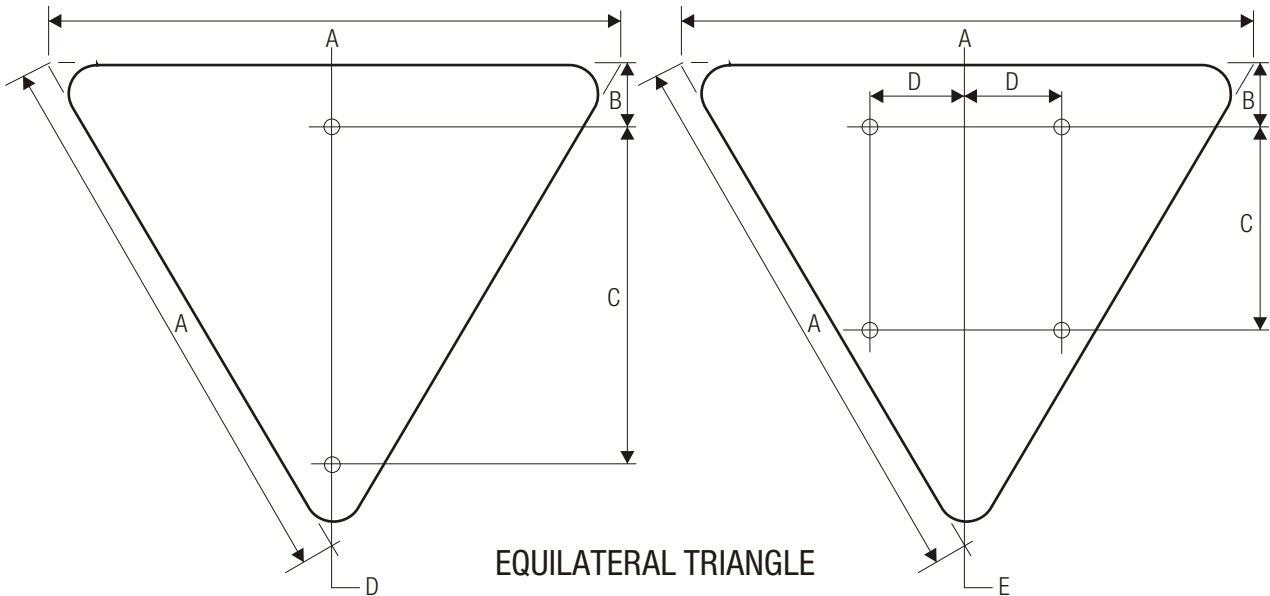
(ENGLISH)



OCTAGON

A	B	C
24	3	18
30	3	24
36	3	30

A	B	C
48	9	30

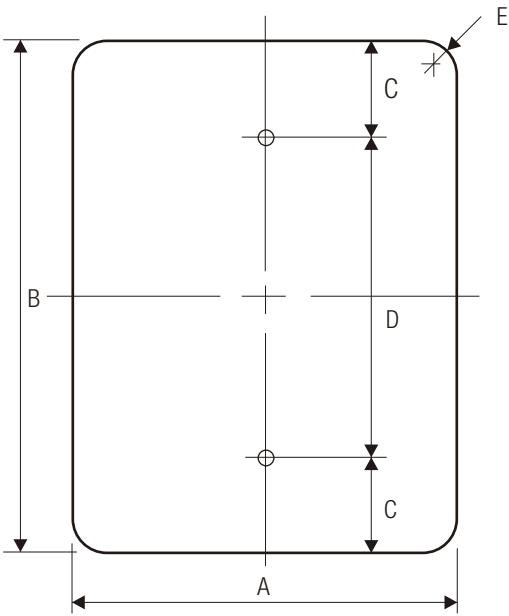


EQUILATERAL TRIANGLE

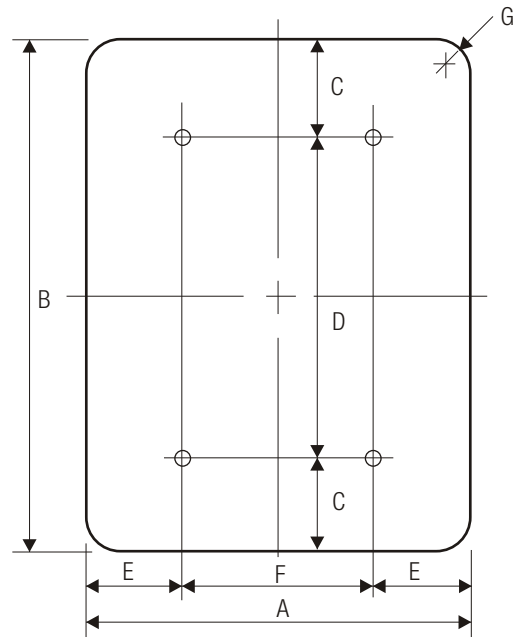
A	B	C	D
30	3	18	1.5
36	3	21	2

A	B	C	D	E
48	3	12	12	3
60	3	18	15	4

VERTICAL RECTANGLE

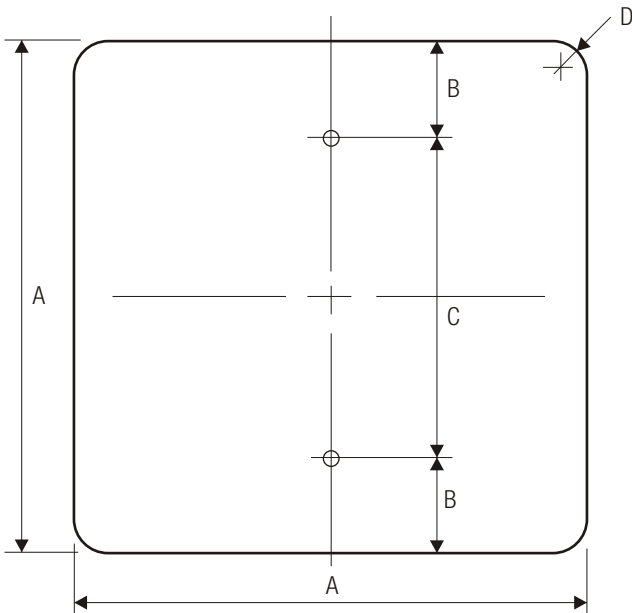


A	B	C	D	E
12	18	1.5	15	1.5
18	24	3	18	1.5
24	30	3	24	1.5
30	36	3	30	1.875

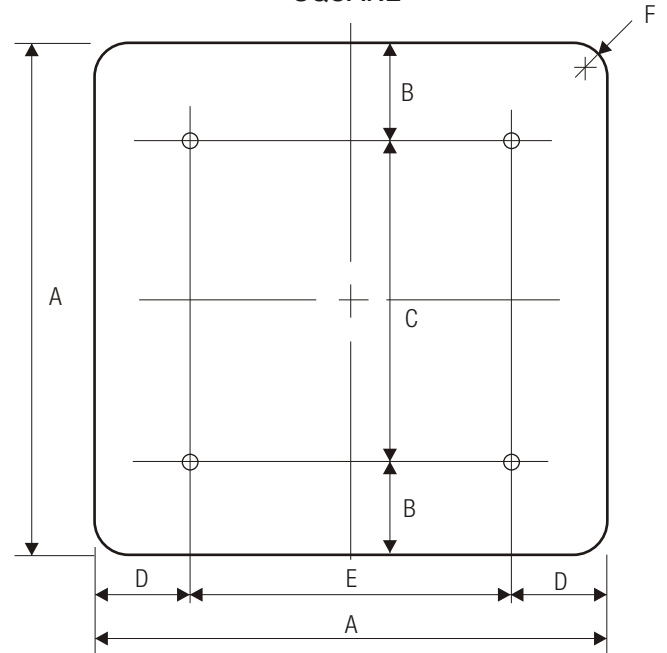


A	B	C	D	E	F	G
36	48	6	36	6	24	2.25
48	60	6	48	9	30	3

SQUARE

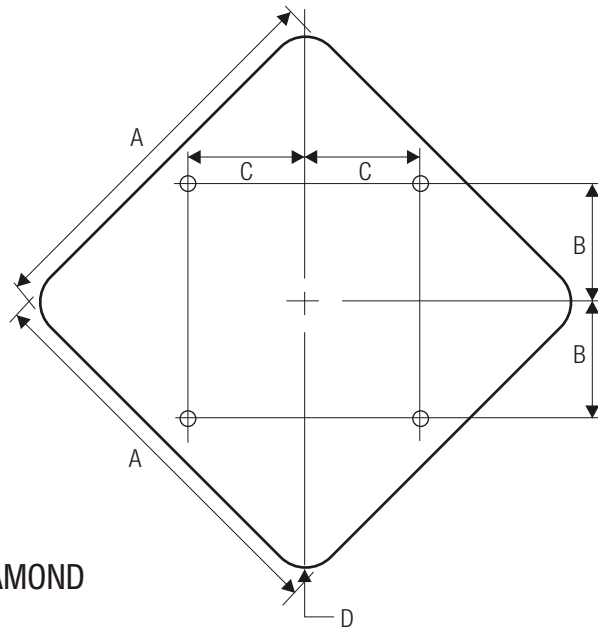
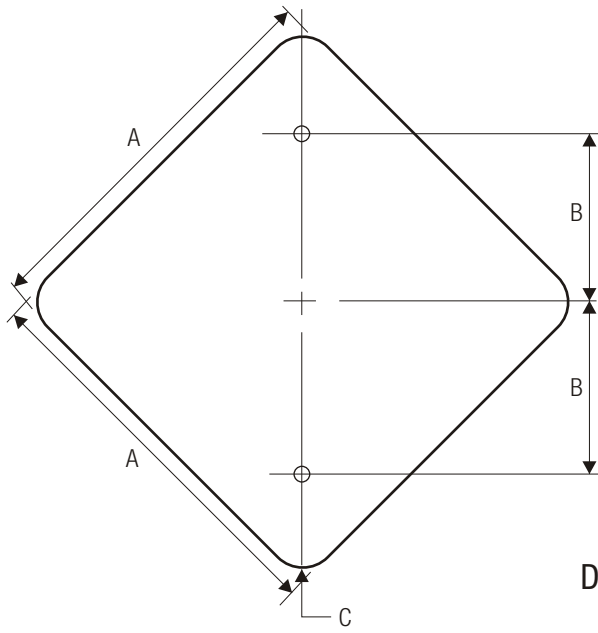


A	B	C	D
18	3	12	1.5
24	3	18	1.5
30	3	24	1.875



A	B	C	D	E	F
36	6	24	6	24	2.25
48	6	36	9	30	3

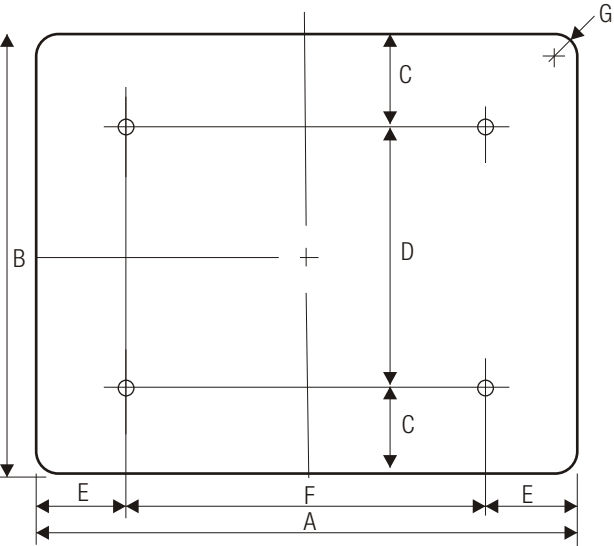
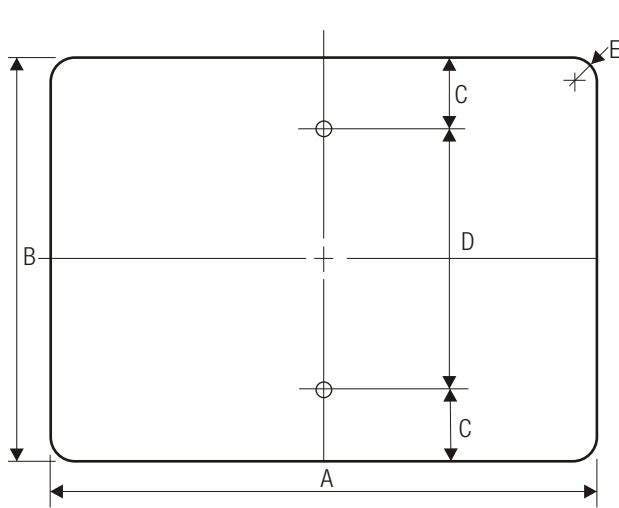
BLANK STANDARDS



DIAMOND

A	B	C
24	12	1.5
30	15	1.875
36	18	2.25

A	B	C	D
48	15	15	3
60	18	18	3.75

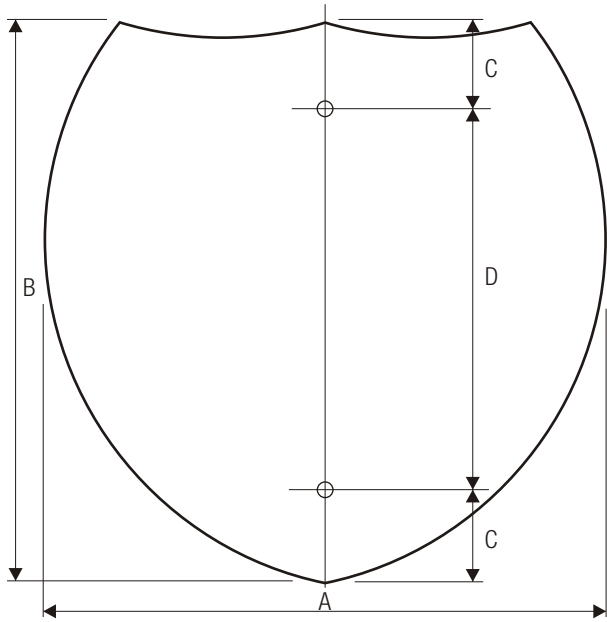


HORIZONTAL RECTANGLE

A	B	C	D	E
21	15	1.5	12	1.5
24	12	1.5	9	1.5
24	18	3	12	1.5
30	15	1.5	12	1.5
30	24	3	18	1.5
36	12	1.5	9	1.5

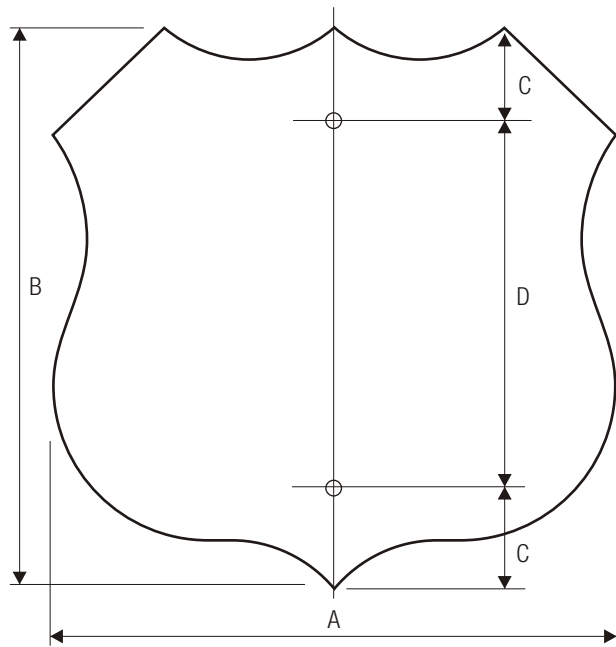
A	B	C	D	E	F	G
36	24	3	18	6	24	1.5
48	24	3	18	9	30	1.875
48	36	6	24	9	30	2.25
60	24	3	18	12	36	1.5
60	36	6	24	12	36	2.25

BLANK STANDARDS



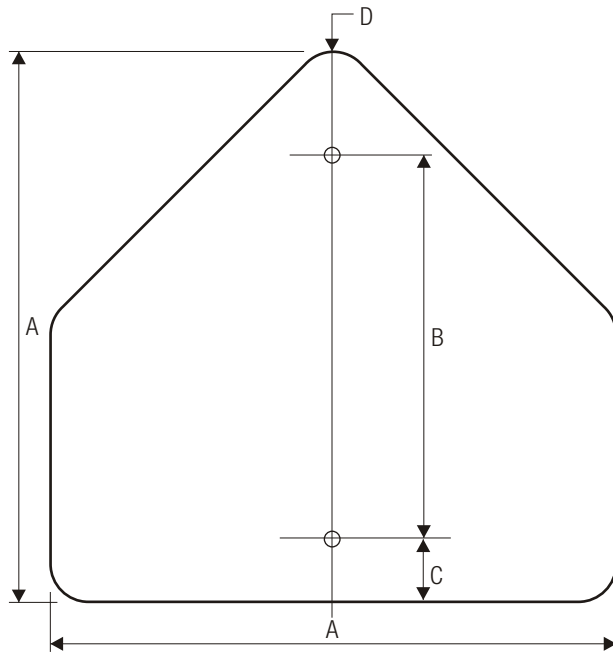
INTERSTATE SHIELD

A	B	C	D
24	24	3	18
30	24	3	18
36	36	6	24
45	36	6	24



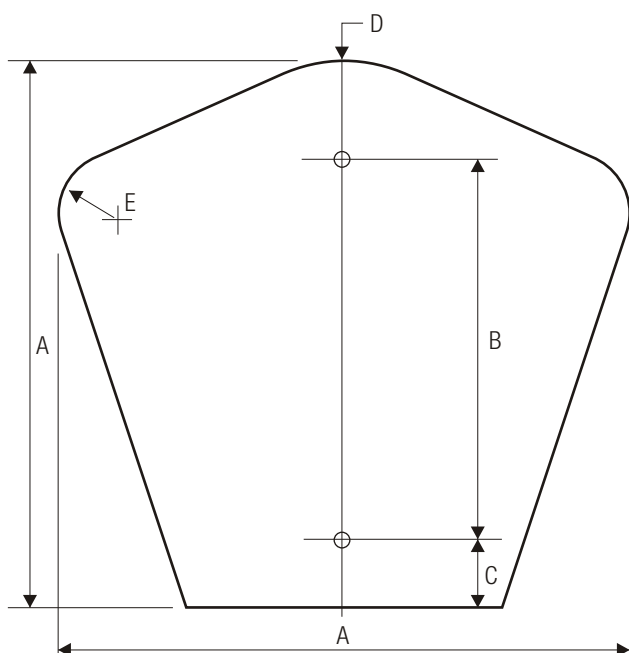
U.S. SHIELD

A	B	C	D
24	24	3	18
30	24	3	18
36	36	6	24
45	36	6	24



PENTAGON (SCHOOL)

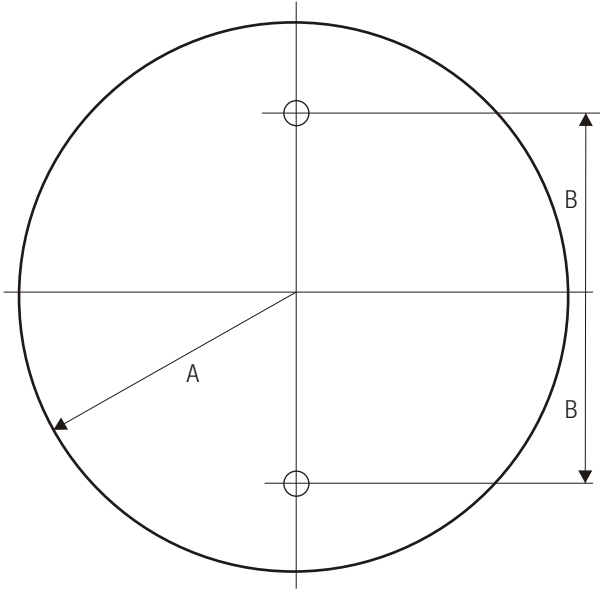
A	B	C	D
30	21	3	1.875
36	24	3	2.25



COUNTY SHIELD

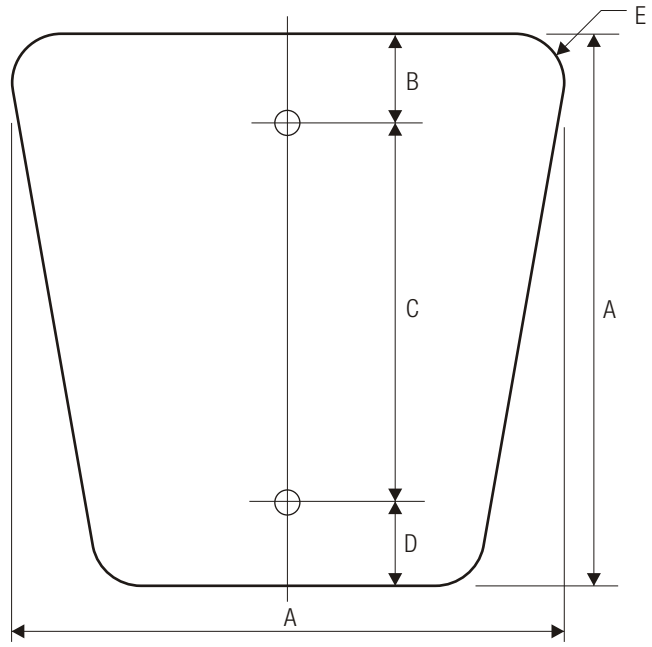
A	B	C	D	E
18	15	1	5	2
24	18	2	5.313	2.688
30	24	2	6.625	3.375

BLANK STANDARDS



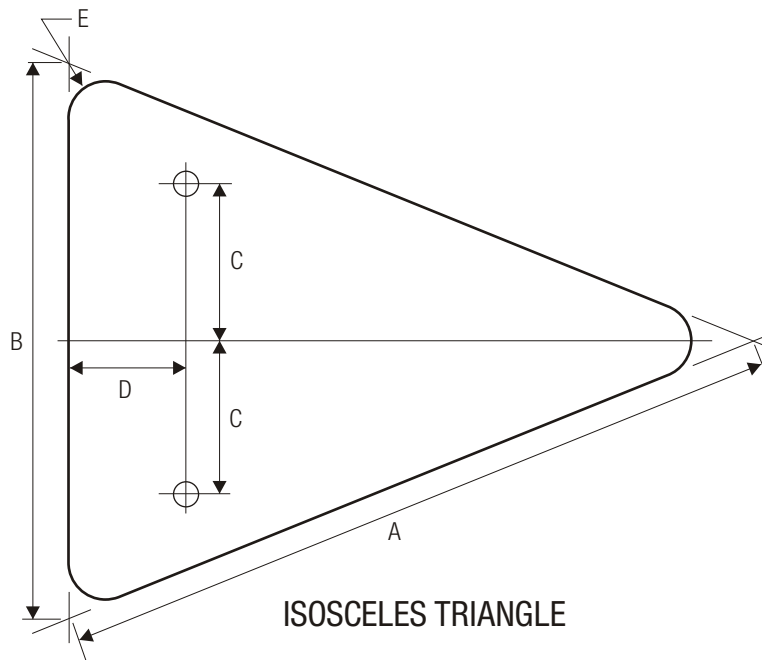
CIRCLE

A	B
15	12
18	15



NATIONAL FOREST SHIELD

A	B	C	D	E
18	2	15	1	2
24	2.5	20	1.5	2.5



ISOSCELES TRIANGLE

A	B	C	D	E
40	30	7.5	12	1.875
48	36	9	15	2.25

PEDESTRIAN SIGNAL INDICATORS

