



3" SPEED BUMP



RubberForm's 3" Speed Bump is one of the most aggressive traffic calming products for pedestrian vehicles on the market. Designed to slow traffic to 3-5 mph, they can be temporarily or permanently deployed wherever you need them. Their unique design not only allows them to stay in place without the use of spikes, lag bolts, and/or adhesives, but also multiple configurations and unlimited connectivity.

Our speed bump is manufactured with solid, masticated recycled rubber to withstand extreme temperatures, constant U.V. light, extreme weather conditions, and of course, high traffic volume.

Our 3" Speed Bump has been successfully used by police and fire departments, Border Patrol, Homeland Security, and Military Units for traffic check points. It is the ideal choice for anywhere an aggressive traffic calming device is temporarily or permanently needed—traffic stops, guarded entrances or exits, or construction sites.

Key Features

- Easy to deploy, install, and recover
- High-visibility reflective yellow stripe for low-light conditions
- Can be used on dirt or gravel roads
- Portable or Permanent – stainless steel lag bolt and anchors for permanent installation
- Multiple configurations and unlimited connectivity
- Made in the USA with 100% masticated recycled rubber



Made in the USA



100% Recycled Material



Increase LEED Score





3" SPEED BUMP SPECIFICATIONS

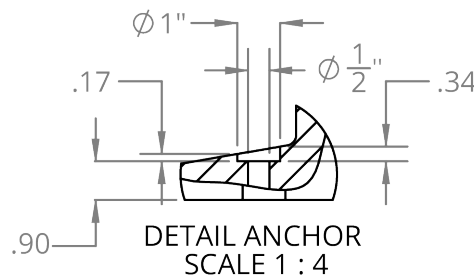
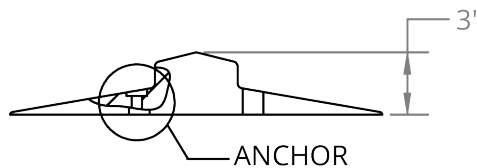
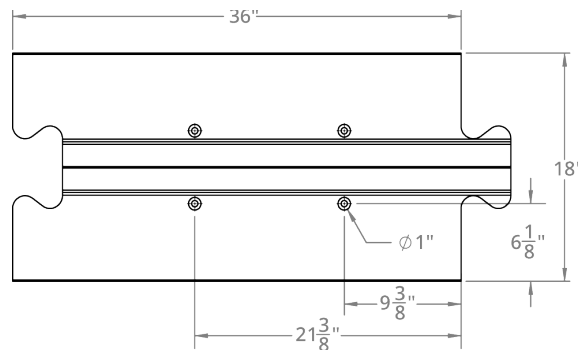
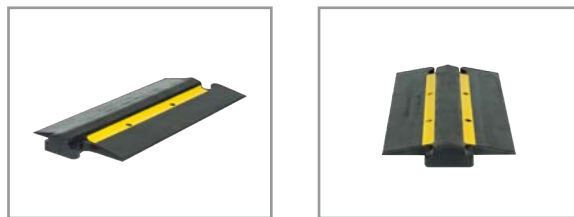
Models

RF-MLSB3-BLK

- All black

RF-MLSB3-YLW

- Black with safety yellow stripes



Specifications

- 35 lbs
- 3"H x 18"W x 36"L
- Masticated recycled tire rubber
- High-visibility reflective yellow stripe

Hardware Kit

RF-MLSBHWK

- 4 - Lag Bolts: 3/8"W x 5"L
- 4 - Washers: 3/8"W x 1"L
- 4 - Anchors

RF-RBR14HDG

- 14" Galvanized Forged Mounting Spike with Cap

RF-RBR24/36

- 24" or 36" rebar spike for dirt and gravel road installation

RF-DREA14

- 14" dirt road earth anchor with drive flat top
- 1.5" tapped hole depth for threaded bolt
 - bolt, nut, and washer included
- Installs with 1-3/8" socket

