



# ROOFTOP RUBBER SUPPORT BLOCKS



RubberForm's Rooftop Support Blocks are an injected molded roof block support made with recycled composite rubber & plastic. Our support block can be installed on a variety of roofing materials or other flat surfaces. They have no sharp or abrasive edges and do not penetrate the roof which was designed to help protect the roof membrane. *\*Check with roof membrane manufacturer or supplier to ensure safe usage.*

The rubber rooftop support block allows you to connect channel struts with through bolts on each end of the block for added strength and stability. Screw type fasteners are used to attach struts and other applicable devices such as pipe straps and can be used to dampen vibration. The block is also designed with water channels under the base to prevent damming.

RubberForm's Rooftop Supports offer a total solution for rooftop applications such as solar mounting and PV systems, piping, HVAC equipment, roof walkway systems, air ducts, conduit and cable tray supports.

## Key Features

- Easy to install
- Available with or without metal strut *\*Check for strut availability*
- Will not chip, crack, crumble, or spall
- Resistant to extreme temperature variations, UV light, and moisture
- Made in the USA with 100% recycled composite material



Made in the USA



100% Recycled Material



Increase LEED Score



# ROOFTOP SUPPORT BLOCK SPECIFICATIONS

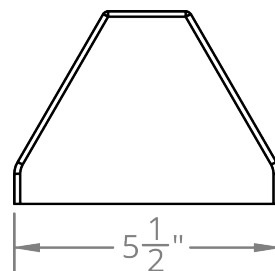
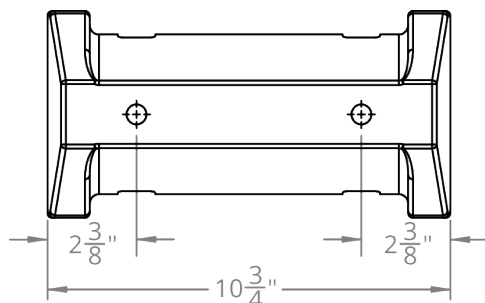
## Models

### RF-RTRB

- Support Block without strut
- 3.70 lbs
- 4"H x 5-1/2"W x 10.75"L

### RF-RTRBST

- Support Block with strut
- 4.10 lbs
- 4.75"H x 5-1/2"W x 10.75"L



## Specifications

- Multiple strut options

## Hardware Kit

### Available Strut Mounting Hardware

- Pipe Hangers
- Pipe Supports
- Conduit Supports
- Roller Pipe Supports
- Roller Mounted Pipe Supports
- Strut Bridge Pipe Supports
- Raised Bridge Pipe Supports

*\*Check for strut availability*

