



## PORTABLE ELECTRIC CABLE SUPPORT TOWER - CORD TREES

Our RubberForm Portable Electric Cable Support Towers or Cord Trees safely keep electric cables off the ground and away from human contact. Our Cable Towers/Cord Trees are non-conductive, easy to install, and just as easy to relocate. The base is made of 100% American recycled rubber that won't crack, crumble, or corrode, no matter the heat, cold, rain, ice or snow you throw at them. And the safety yellow poles are all non-conductive FRP - Fiberglass Reinforced Poles with a safety yellow cable antler.

Keep your workers safe and your company compliant with NEC code requirements and OSHA regulations.

### KEY FEATURES:

#### VERSATILE

Telescoping 78-120"  
height (heavy duty  
version 82-124")

#### EASY

To deploy, install,  
and relocate

#### SAFE

OSHA compliant  
and meets NEC Code

#### MADE IN THE USA

With 100% American recycled  
rubber and components

#### DURABLE

Won't crack, chip,  
crumble, or corrode



Made in the USA



100% Recycled  
Materials



Unrivaled Quality



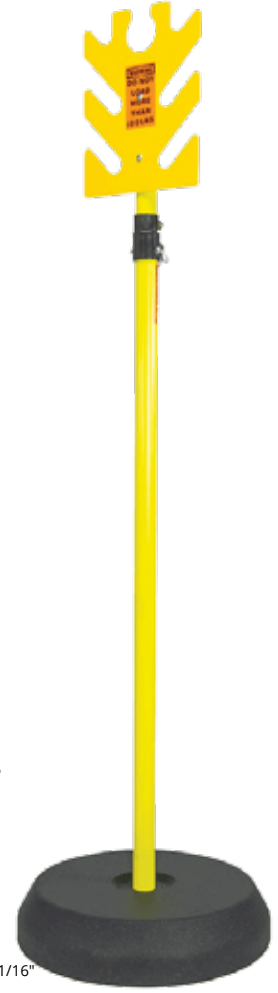
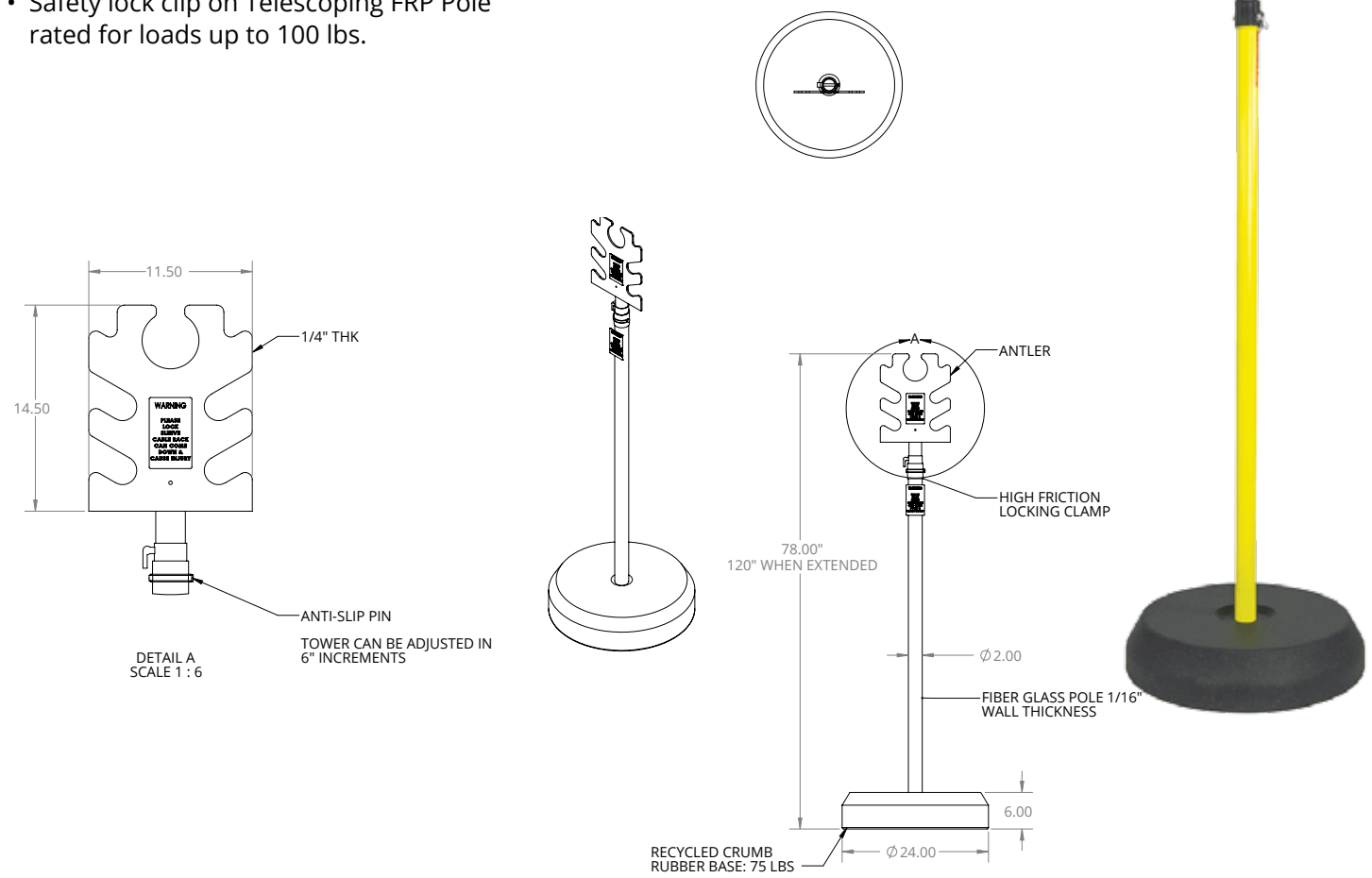
UV Resistant

# CABLE SUPPORT TOWER (CORD TREE) SPECIFICATIONS

## RUBBERFORM PCST73 PORTABLE ELECTRIC CABLE SUPPORT TOWER

### SPECIFICATIONS

- Base: 23"D x 6"H – 75 lbs
- Telescoping Pole: 2.080"D x 120"H
- 78-120" total height
- Safety yellow cable antlers
- Safety lock clip on Telescoping FRP Pole rated for loads up to 100 lbs.

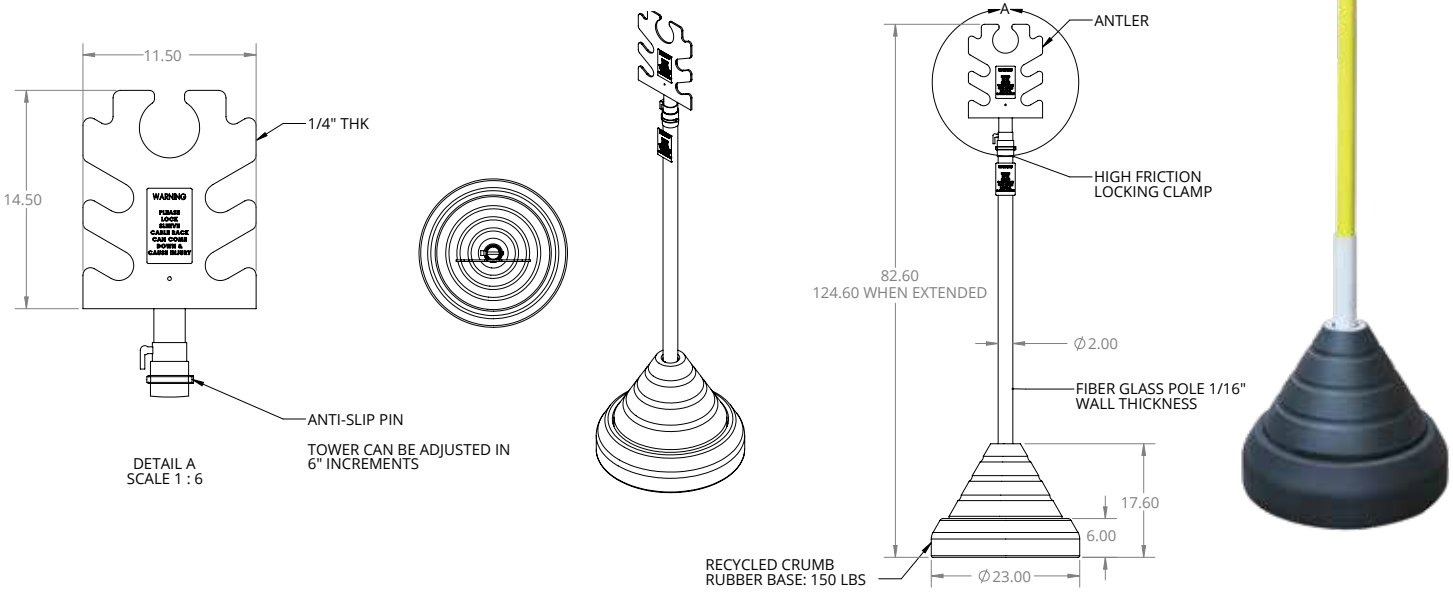


# CABLE SUPPORT TOWER (CORD TREE) SPECIFICATIONS

## RUBBERFORM PCSTHD150 HEAVY-DUTY PORTABLE ELECTRIC CABLE SUPPORT TOWER

### SPECIFICATIONS

- Telescoping Post: 2.080"D x 120"H
- 2 Bases included – 150 lbs:
- Conical Shaped Base: 18"D x 14"H
- Bottom Base: 23"D x 6"
- 82-124" total height
- 4 – Rugged structural screws included to connect both bases
- Safety yellow cable antlers
- Rated for loads up to 100 lbs
- Safety lock clip on Telescoping FRP Pole



### WHEN DO I NEED HEAVY DUTY VS. THE STANDARD CABLE SUPPORT TOWER?

- Heavy-duty is more stable:
  - Close to the load limit
  - Close to max height
- If spaced out farther than recommended 10 ft spacing
- In high wind situations
- If likely to be bumped or jostled

