



# DIRT ROAD SPEED BUMPS



The RubberForm MLSB Series 2.5" and 3" Dirt Road Speed Bumps are the perfect solution for all dirt road traffic calming needs. With help from industry experts, RubberForm has developed a specially designed special hardware options that allow our speed bumps to be safely secured to dirt roads and gravel roads for permanent or semi-permanent installation.

Each portable rubber speed bump features a dovetail design that allows unlimited custom connectivity. Choose the height you need to slow traffic to your desired speed – as slow as 3-5 mph. Manufactured with solid, masticated recycled rubber to withstand extreme temperatures, constant U.V. light, extreme weather conditions, and of course, high traffic volume.

These qualities make RubberForm's Dirt Road Speed Bump the superior choice for traffic stops, guarded gate entrances or exits, construction sites, or anywhere an aggressive traffic control device is needed.

## Key Features

- For use on dirt or gravel roads
- Easy to deploy, install, and recover
- High-visibility reflectors or reflective yellow strip
- Multiple configurations and unlimited connectivity
- Made in the USA with 100% masticated recycled rubber



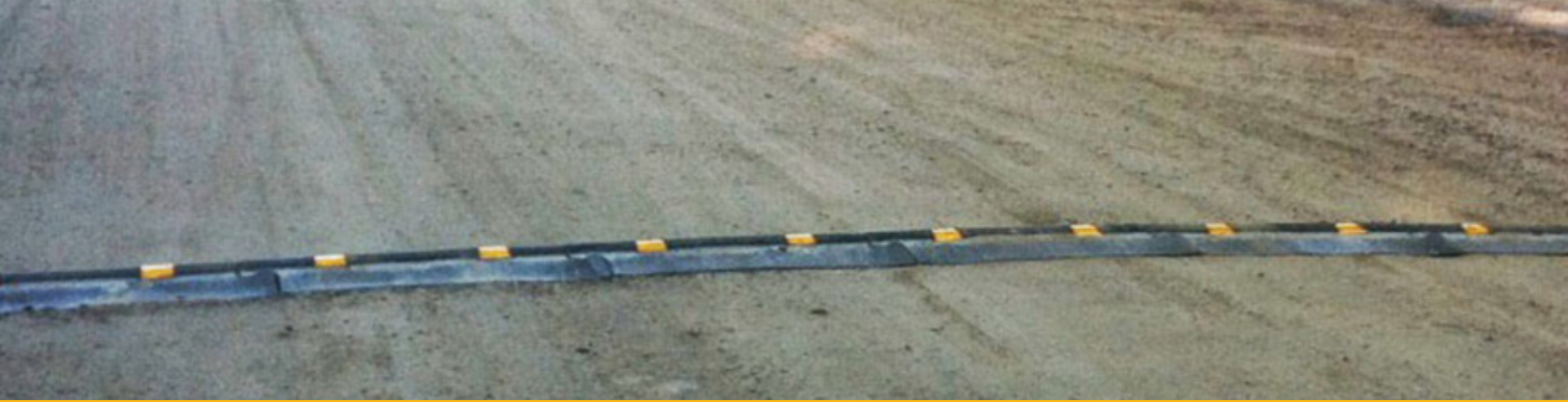
**Made in the USA**



**100% Recycled Material**



**Increase LEED Score**

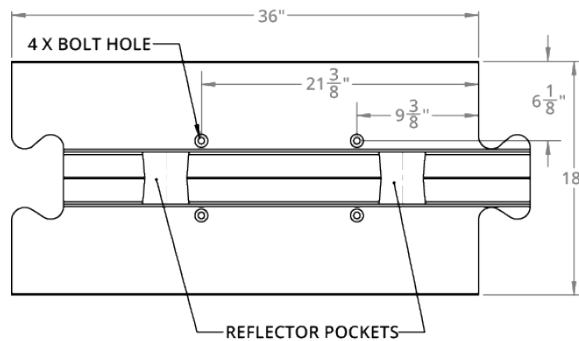
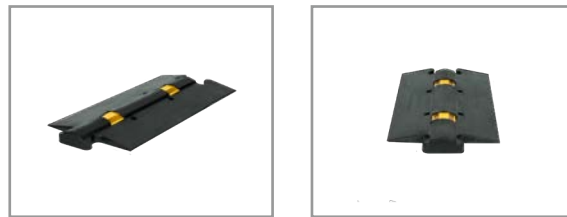


# DIRT ROAD SPEED BUMP SPECIFICATIONS

## Models

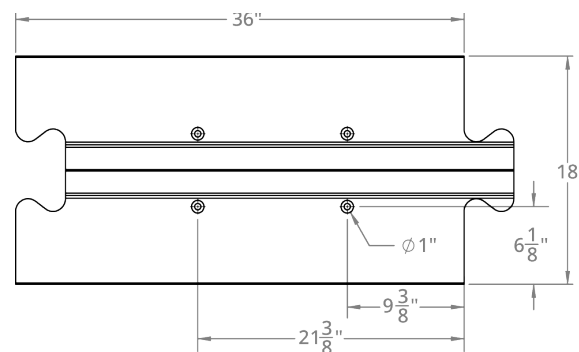
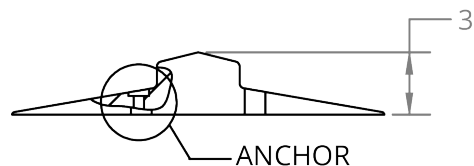
### RF-MLSB2.5

- 2 embedded AASHTO two-way yellow reflectors



### RF-MLSB3-BLK/YLW

- Optional: Plain Black or with high visibility reflective yellow stripe



## Specifications

### RF-MLSB2.5

- 32 lbs
- 2.5"H x 18"W x 36"L

### RF-MLSB3

- 35 lbs
- 3"H x 18"W x 36"L

## Hardware Kit

### RF-RBR24/36

- 24" or 36" rebar spike for dirt and gravel road installation

### RF-DREA14

- 14" dirt road earth anchor with drive flat top
- 1.5" tapped hole depth for threaded bolt
  - bolt, nut, and washer included
- Installs with 1-3/8" socket

