

RACETRACK RUBBER CURBING



RubberForm's Racetrack Rubber Curbing is the superior choice for any racetrack or go-cart track. Our EPDM rubber material is not only extremely durable but also flexible enough for any custom track shapes or configurations.

We extrude our Racetrack Curbing in 10-foot black lengths which allows us to easily ring your entire track. Our rubber material can be painted any color with our special rubber paint and comes with hardware solutions to secure your track properly and safely.

RubberForm's Racetrack Rubber Curbing is made out of 100% heavy-duty recycled rubber for superior performance, hard-wearing durability, and low maintenance.

Key Features

- Easy to install, remove, and relocate
- For temporary or permanent use
- Extremely durable – will not tear, chip, crack, or crumble
- Resistant to temperature variations, UV light, oils, fuels, salts, and moisture
- Can be painted with any color
- Made in the USA with 100% post-industrial EPDM rubber



Made in the USA



100% Recycled Material



Increase LEED Score



RACETRACK CURBING SPECIFICATIONS

Models

RF-RTC-BLK

- Racetrack Curb - All black



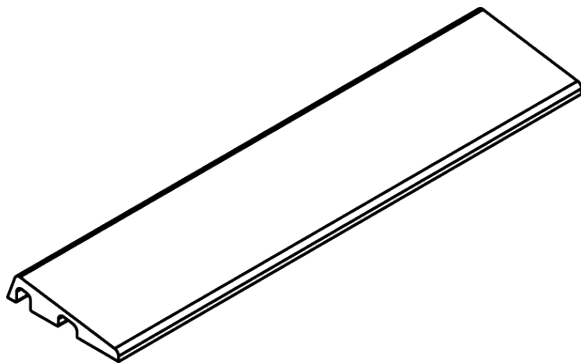
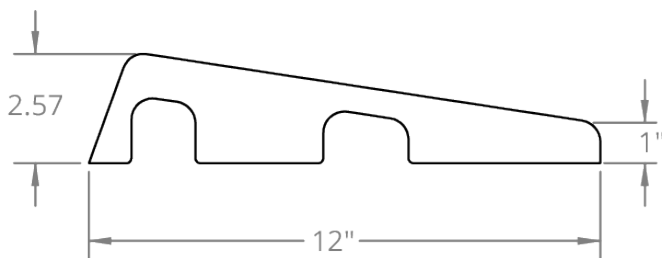
RF-RTCPT-RED

- Racetrack Curb - Painted white with red stripes



RF-RTCPT-BLU

- Racetrack Curb - Painted white with blue stripes



Specifications

- Extruded in 10-foot lengths
- 12"W x 2-1/2"H (back) x 1"H (front)

Hardware Kit

RF-MLSBHWK

- 4 - Lag Bolts: 3/8"W x 5"L
- 4 - Washers: 3/8"W x 1"L
- 4 - Anchors

RF-SCBLS44

- 6"L x 3/8"W Lag Bolt
- 1 -1/8"L x 9/16"W Anchor
- 1/2" Washer

